



# NJ 208 ECML

- SKF Explorer

## Cylindrical roller bearings, single row

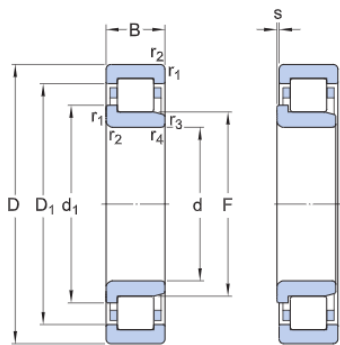
### Bearing data

[Tolerances](#),  
Normal (metric), P6, Normal (inch),  
[Radial internal clearance](#),  
cylindrical bore, tapered bore,  
[Axial internal clearance](#),  
NUP, NJ + HJ

### Bearing interfaces

[Seat tolerances for standard conditions](#),  
[Tolerances and resultant fit](#)

## Technical specification

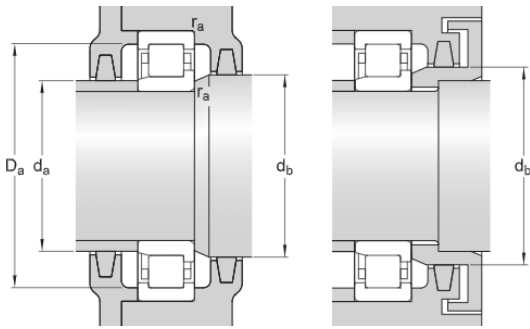


### DIMENSIONS

d	40 mm	Bore diameter
D	80 mm	Outside diameter
B	18 mm	Width
d1	≈54 mm	Shoulder diameter of inner ring
D1	≈67.9 mm	Shoulder diameter of outer ring
F	49.5 mm	Chamfer dimension of loose flange ring
r1,2	min.1.1 mm	Chamfer dimension
r3,4	min.1.1 mm	Chamfer dimension
s	max.1.4 mm	Permissible axial displacement

### ABUTMENT DIMENSIONS

da	min.47 mm	Diameter of spacer sleeve
da	max.48 mm	Diameter of spacer sleeve
db	min.56 mm	Diameter of shaft abutment
	max.72.8	Diameter of



$D_a$	mm	housing abutment
$r_a$	max.1 mm	Radius of fillet

## CALCULATION DATA

Basic dynamic load rating	C	62 kN
Basic static load rating	$C_0$	53 kN
Fatigue load limit	$P_u$	6.7 kN
Reference speed		9 500 r/min
Limiting speed		16 000 r/min
Minimum load factor	$k_r$	0.23
Limiting value	e	0.2
Axial load factor	Y	0.6

## MASS

Mass	0.43 kg
------	---------

## ASSOCIATED PRODUCTS

Angle ring	HJ 208 EC
------------	-----------